

HUBBELL®
Wiring Device-Kellems

**Tamper-Resistant
NOT Plug Resistant®**



The Industry's Best Tamper-Resistant Receptacle

for Assisted Living
Applications



Jackson Bradley, Design Engineer, Atlanta, GA

I received the receptacles this morning and am really impressed. I walked around the house plugging many different types of devices and all worked very smoothly.

I have been a design engineer for almost 30 years and know a good design when I see it. You can be proud of this one.

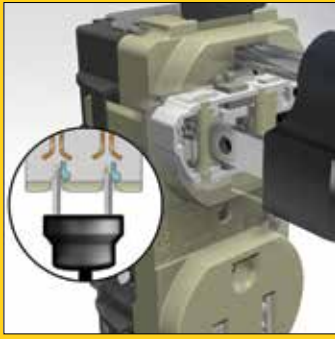
- **Hubbell Patented Technology for a Superior Tamper-Resistant Mechanism**
- **Available In 15 and 20 Amp**
- **Assorted Colors**
- **UL, CSA**

The Hubbell Solution

Hubbell's patented Cam Action Technology makes inserting a plug as easy as plugging into a standard receptacle. This design has been incorporated into our Industrial, Hospital, Commercial and Residential receptacles. This broad offering ensures the right quality product for all projects.



Tamper-Resistant - Safety Made Easy



Patented Cam Action Mechanism

The Hubbell product development team engineered a better way to provide tamper-resistance to our receptacles with our patented cam action mechanism. When a plug is inserted into a Hubbell tamper-resistant receptacle, the cam slides the insulating barrier out of the way. The rotating action eliminates friction, creating a smoother, more reliable insertion. As a result, difficulties due to problematic plugs are minimized.



Scan to see how the Patented Cam Action Mechanism works



Tamper-Resistant Specification Grade Duplex Receptacles

Color	Tamper-Resistant, Style Line® decorator duplex, smooth nylon face, back and side wired		Tamper-Resistant, smooth nylon face, duplex, back and side wired		Tamper-Resistant, smooth nylon face, duplex, side wired only	
	15A 125V	20A 125V	15A 125V	20A 125V	15A 125V	20A 125V
Almond	DR15ALTR	DR20ALTR	BR15ALTR	BR20ALTR	CR15ALTR	CR20ALTR
Black	DR15BLKTR	DR20BLKTR	BR15BLKTR	BR20BLKTR	CR15BLKTR	CR20BLKTR
Brown	DR15TR	DR20TR	BR15TR	BR20TR	CR15TR	CR20TR
Gray	DR15GRYTR	DR20GRYTR	BR15GRYTR	BR20GRYTR	CR15GRYTR	CR20GRYTR
Ivory	DR15ITR	DR20ITR	BR15ITR	BR20ITR	CR15ITR	CR20ITR
Light Almond	DR15LATR	DR20LATR	BR15LATR	BR20LATR	CR15LATR	CR20LATR
White	DR15WHITR	DR20WHITR	BR15WHITR	BR20WHITR	CR15WHITR	CR20WHITR

SNAPConnect® Tamper-Resistant Specification Grade Duplex Receptacles

Color	SNAPConnect® Tamper-Resistant, Style Line® decorator duplex, smooth nylon face		SNAPConnect® Tamper-Resistant, smooth nylon face, duplex		SNAPConnect® Right Angle Pigtailed Terminal with 6", #12 AWG Leads	
	15A 125V	20A 125V	15A 125V	20A 125V	Description	Catalog Number
Black	SNAP2152BKTRA	SNAP2162BKTRA	SNAP5262BKTRA	SNAP5362BKTRA	Solid Stranded	SNAP1RA SNAP2RA
Blue	SNAP2152BLTRA	SNAP2162BLTRA	SNAP5262BLTRA	SNAP5362BLTRA		
Brown	SNAP2152TRA	SNAP2162TRA	SNAP5262TRA	SNAP5362TRA		
Gray	SNAP2152GYTRA	SNAP2162GYTRA	SNAP5262GYTRA	SNAP5362GYTRA		
Ivory	SNAP2152ITRA	SNAP2162ITRA	SNAP5262ITRA	SNAP5362ITRA		
Light Almond	SNAP2152LATRA	SNAP2162LATRA	SNAP5262LATRA	SNAP5362LATRA		
Red	SNAP2152RTRA	SNAP2162RTRA	SNAP5262RTRA	SNAP5362RTRA		
White	SNAP2152WTRA	SNAP2162WTRA	SNAP5262WTRA	SNAP5362WTRA		

GFCI Receptacles

Also Available in the Hubbell Tamper-Resistant Line

- Standard
- Night Light (with two LED night lights)
- With Alarm
- Combination Switch (1- 15A Receptacle and 1-15A 120V Switch)



HUBBELL®
Wiring Device-Kellems

www.hubbell-wiring.com

